

Quick Installation Guide

Ceiling Mount Access Point

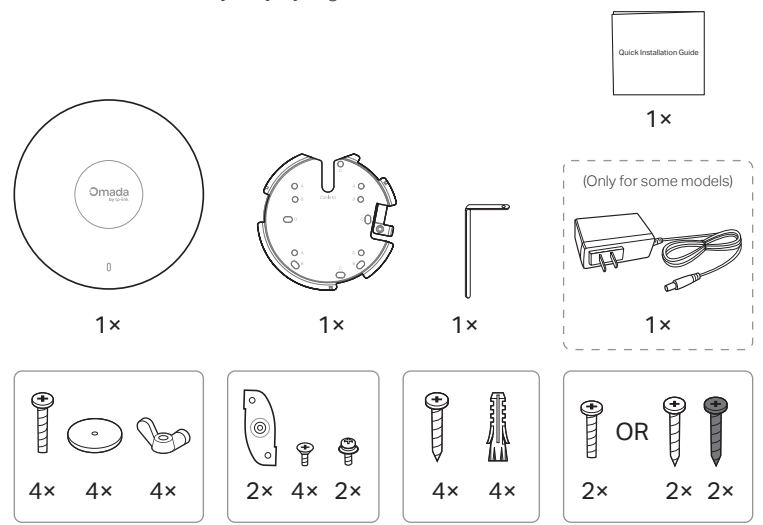


Scan for
EAP Start Guide

Note: EAP727 is used as an example throughout the guide. Images may differ from your actual product.
©2026 TP-Link 710003066 REV1.0.1

Package Contents

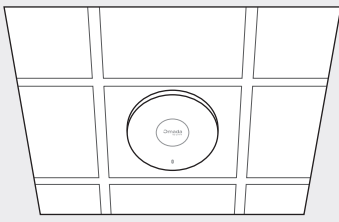
A 1-pack product contains the following contents, while a 5-pack provides five sets of accessories and one installation guide.
Note: Accessories may vary by region and model.



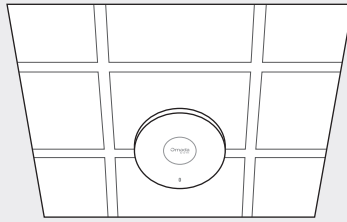
Installation

Note: The AP will be locked after installed. To uninstall, see the Appendix on the back page.

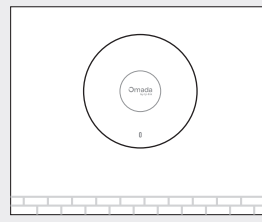
Option 1
Ceiling Mounting (on a Tile)



Option 2
Ceiling Mounting (on a T-bar)



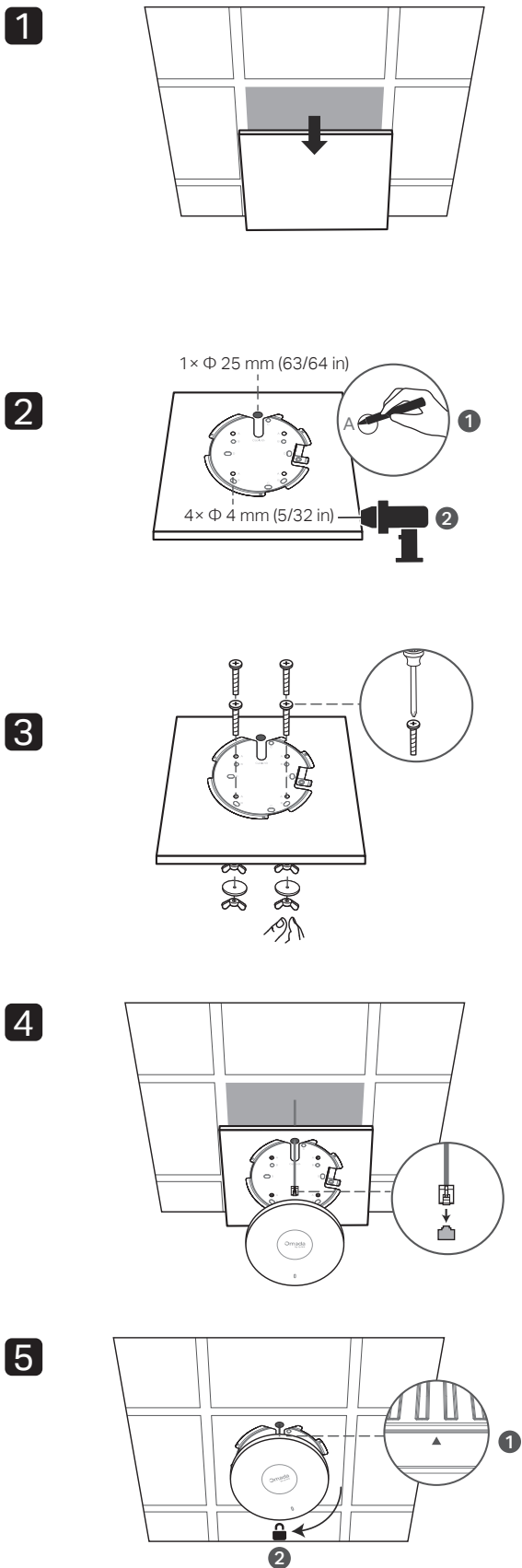
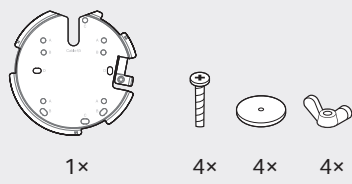
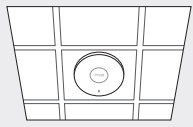
Option 3
Wall Mounting



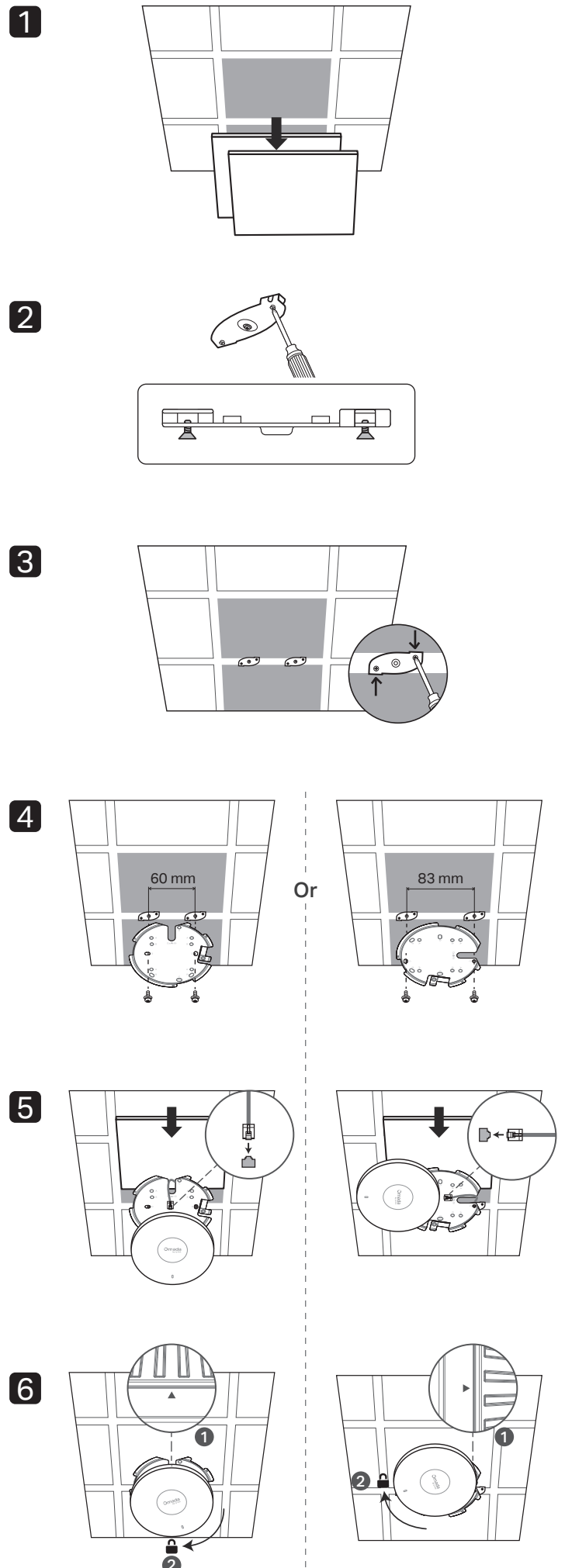
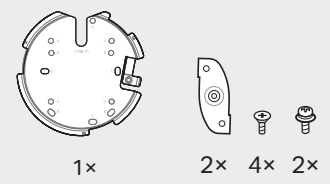
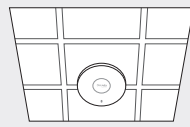
Option 4
Junction Box Mounting



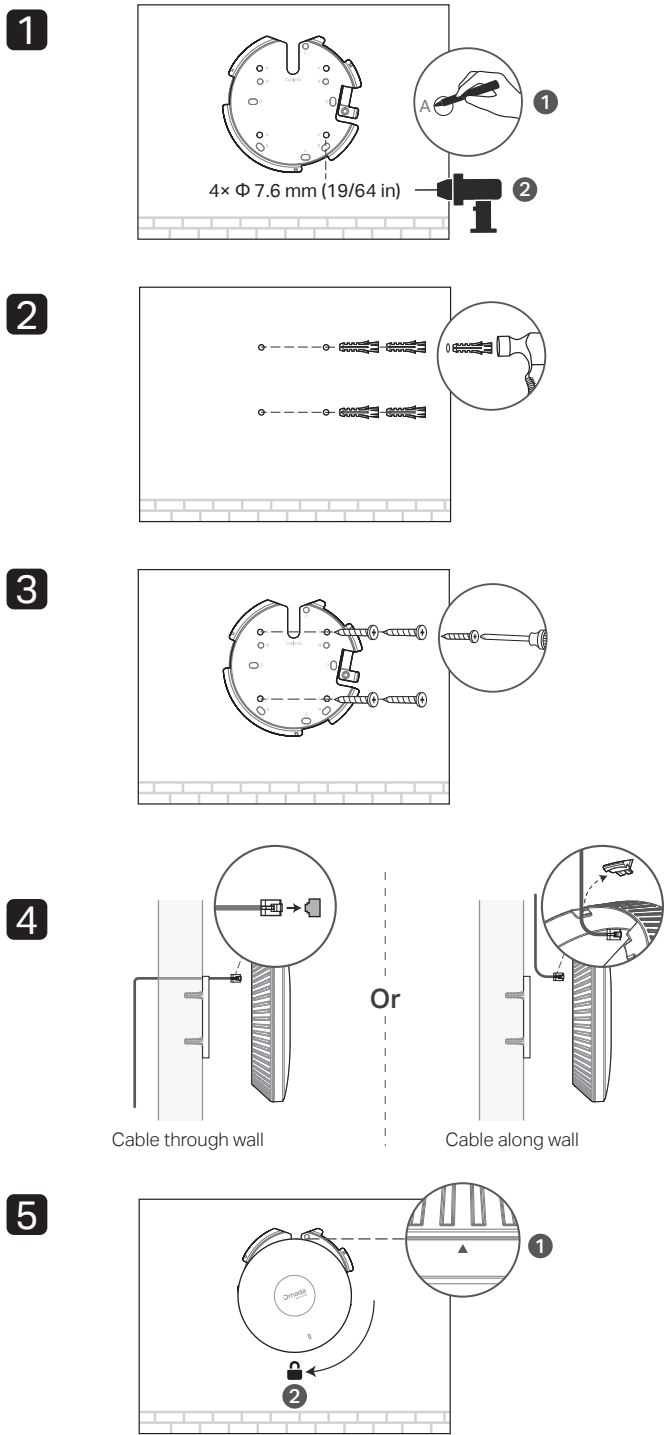
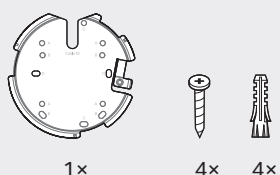
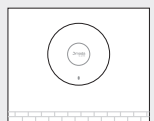
Option 1



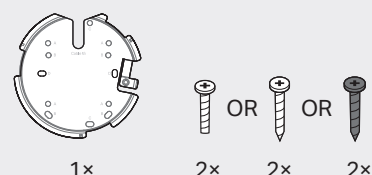
Option 2



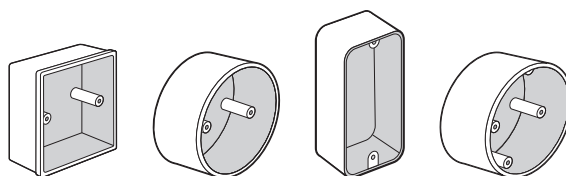
Option 3



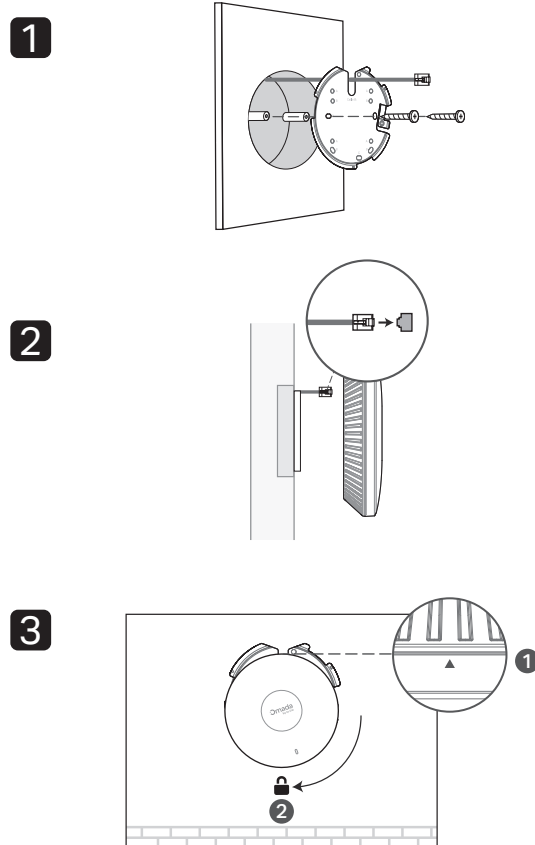
Option 4



Choose the accessory screws that fit your junction box. Compatible wall junctions are as follows:

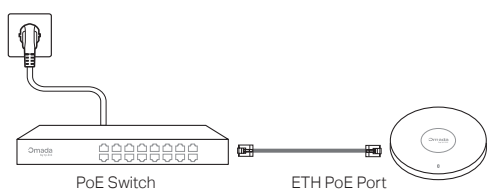


For simplicity, an 86 mm wall junction box is used as an example.

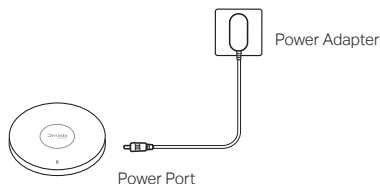


Power On

Option 1: Via PoE Switch

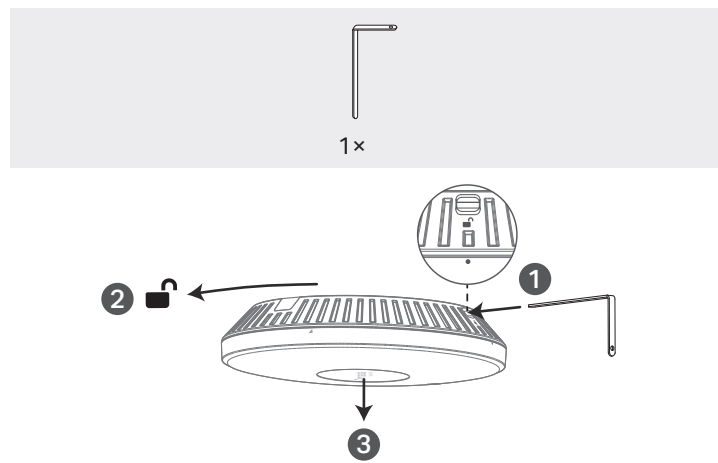


Option 2: Via Power Adapter



Appendix

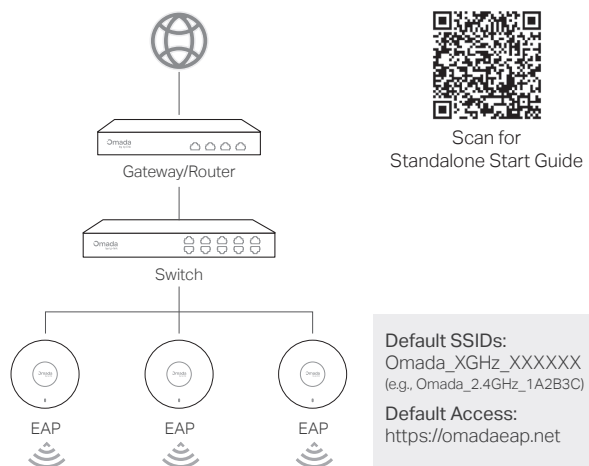
Uninstalling the AP



Configuration

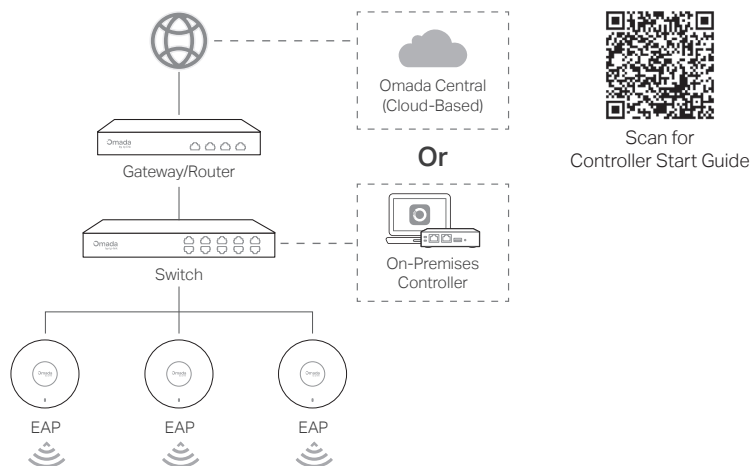
Option 1: Standalone Mode

Configure and manage each EAP on its standalone page.



Option 2: Controller Mode

Configure and manage EAPs (and other Omada devices) centrally with an Omada Controller.



Omada App

With the TP-Link Omada app, you can access and manage your Omada devices at a local site or remotely with a tap of your phone.



Scan for Omada App

More Configurations

For more configurations, refer to the User Guides of the Omada Controller and Omada Access Points at: <https://support.omadanetworks.com/document/>



Safety Information

- Keep the device away from water, fire, humidity or hot environments.
- Do not attempt to disassemble, repair, or modify the device. If you need service, please contact us.
- Do not use the device where wireless devices are not allowed.
- (For IN version) The EAP can be powered only by a power adapter or a PSE device (such as a PoE switch) which complies with Limited Power Source (LPS) of IEC 60950-1.
- (For other versions) The EAP can be powered only by a power adapter or a PSE device (such as a PoE switch) which complies with Power Source Class 2 (PS2) or Limited Power Source (LPS) defined in the standard of IEC 62368-1.
- Use only power supplies listed in the user instructions. Refer to the User Manual on the product support page.

For models with adapters:

- Do not use damaged charger or USB cable to charge the device.
- Do not use any other chargers than those recommended.
- Adapter shall be installed near the equipment and shall be easily accessible.

TP-Link hereby declares that the Access Point is in compliance with the essential requirements and other relevant provisions of directives 2014/53/EU, 2009/125/EC, 2011/65/EU, and (EU) 2015/863. The original EU Declaration of Conformity may be found at <https://www.tp-link.com/en/support/ce/>. TP-Link hereby declares that the Access Point is in compliance with the essential requirements and other relevant provisions of the Radio Equipment Regulations 2017. The original UK Declaration of Conformity may be found at <https://www.tp-link.com/support/ukca/>

More Resources

Main Site	https://www.omadanetworks.com/
Video Center	https://support.omadanetworks.com/video/
Documents	https://support.omadanetworks.com/document/
Product Support	https://support.omadanetworks.com/product/
Technical Support	https://support.omadanetworks.com/contact-support/

Warranty

For details on the warranty period, policy, and procedures, visit <https://support.omadanetworks.com/warranty-services/>.

Support

For technical support, user guides, and other information, please visit <https://support.omadanetworks.com/>, or simply scan the QR code.

